



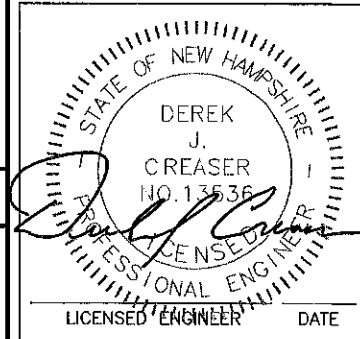
# VW2-NH-0032A BARRINGTON 1

BUMFORD ROAD  
BARRINGTON, NH 03825  
SITE TYPE: RAWLAND MONOPOLE

varsity wireless  
290 CONGRESS ST. 7TH FL  
BOSTON, MA 02210

**Hudson**  
Design Group LLC  
1600 OSGOOD STREET  
BUILDING 20 NORTH, SUITE 3090  
N. ANDOVER, MA 01845  
TEL: (978) 557-5553  
FAX: (978) 336-5586

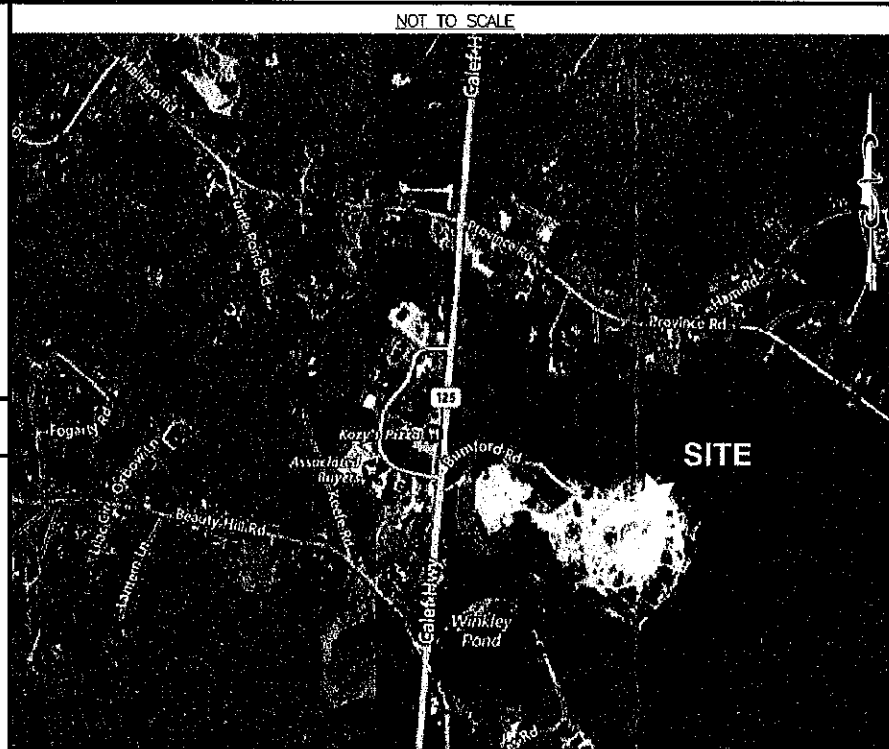
FOR ZONING



### SHEET INDEX

SHEET	DESCRIPTION	REV.
T-1	TITLE SHEET	4
C-1	ABUTTERS PLAN	B
C-2	EXISTING CONDITIONS	B
C-3	SITE PLAN	4
A-1	COMPOUND AND ELEVATION	4
A-2	DETAILS	4
A-3	EROSION CONTROL & DETAILS	4

### VICINITY MAP



### PROJECT DESCRIPTION

1. THIS IS AN UNMANNED AND RESTRICTED ACCESS EQUIPMENT SITE AND WILL BE USED FOR THE TRANSMISSION OF RADIO SIGNALS FOR THE PURPOSE OF PROVIDING PUBLIC CELLULAR SERVICE.
2. THIS FACILITY WILL CONSUME NO UNRECOVERABLE ENERGY.
3. NO POTABLE WATER SUPPLY IS TO BE PROVIDED AT THIS LOCATION.
4. NO WASTE WATER WILL BE GENERATED AT THIS LOCATION.
5. NO SOLID WASTE WILL BE GENERATED AT THIS LOCATION.
6. MAINTENANCE CREW (TYPICALLY ONE PERSON) WILL MAKE AN AVERAGE OF ONE TRIP PER MONTH AT ONE HOUR PER VISIT.

### DO NOT SCALE DRAWINGS

CONTRACTOR SHALL VERIFY ALL PLANS AND EXISTING DIMENSIONS AND CONDITIONS ON THE JOB SITE AND SHALL IMMEDIATELY NOTIFY THE PROJECT OWNER'S REPRESENTATIVE IN WRITING OF DISCREPANCIES BEFORE PROCEEDING WITH THE WORK OR BE RESPONSIBLE FOR SAME.

### PROJECT INFORMATION:

**PROPERTY OWNER:** STEVEN F. LENZI REV. TRUST & PAMELA M. LENZI REV. TRUST  
304 YOUNG ROAD  
BARRINGTON, NH 03825

**APPLICANT:** VARSITY WIRELESS INVESTORS, LLC  
290 CONGRESS STREET, 7TH FLOOR  
BOSTON, MA 02210

**SITE ADDRESS:** BUMFORD ROAD  
BARRINGTON, NH 03825

**COUNTY:** STRAFFORD COUNTY

**LATITUDE:** N 43° 11' 42.69"

**LONGITUDE:** W 70° 59' 27.64"

**ZONING CLASSIFICATION:** GENERAL RESIDENTIAL & STRATIFIED  
DRIFT AQUIFER OVERLAY

**ZONING JURISDICTION:** TOWN OF BARRINGTON

**PARCEL ID:** 251-64

**PARCEL AREA:** 95± ACRES

**EXISTING SITE USE:** GRAVEL YARD

**ARCHITECT / ENGINEER:** HUDSON DESIGN GROUP LLC  
1600 OSGOOD STREET  
BUILDING 20 NORTH, SUITE 3090  
N. ANDOVER, MA 01845

### DRIVING DIRECTIONS

**DIRECTIONS TO SITE FROM 290 CONGRESS STREET BOSTON, MA:**

DEPART CONGRESS ST TOWARD ATLANTIC AVE. 495 FT. TURN RIGHT ONTO ATLANTIC AVE. 0.1 MI. TAKE RAMP FOR I-93 NORTH TOWARD CONCORD NH. 1.5 MI. AT EXIT 27, TAKE RAMP LEFT FOR US-1 NORTH TOWARD REVERE / TOBIN BR. 14.5 MI. TAKE RAMP RIGHT FOR I-95 N. ENTERING NEW HAMPSHIRE. TOLL ROAD 38.3 MI. AT EXIT 4, TAKE RAMP LEFT FOR RT-16 TOWARD NH LAKES / WHITE MTS. 1.8 MI. ROAD NAME CHANGES TO US-4 W / RT-16 N / SPAULDING TPKE. 4.2 MI. AT EXIT 6W, TAKE RAMP RIGHT FOR US-4 WEST TOWARD DURHAM / CONCORD. 9.9 MI. AT ROUNDABOUT, TAKE 1ST EXIT ONTO RT-125 N / CALEF RD. 3.2 MI. TURN RIGHT ONTO BUMFORD RD. ARRIVE AT SITE AT END OF THE ROAD.

REVISIONS		
REV. #	DATE	DESCRIPTION
4	09/19/17	REVISED FOR PERMITTING
3	05/15/17	REVISED FOR PERMITTING
2	04/26/17	REVISED FOR PERMITTING
1	03/03/17	ISSUED FOR PERMITTING
A	01/27/17	ISSUED FOR REVIEW

PROJECT NO.	DESIGNED BY: AT	SCALE:
VW2-NH-0032A	DRAWN BY: SB CHECKED BY: DPH	AS SHOWN

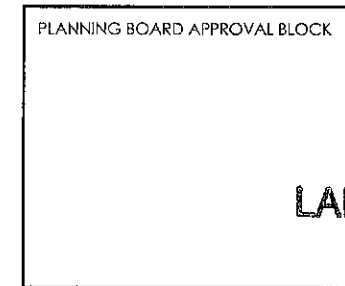
**SITE NAME:**  
VW2-NH-0032A  
BARRINGTON 1

**SITE ADDRESS:**  
BUMFORD ROAD  
BARRINGTON, NH 03825

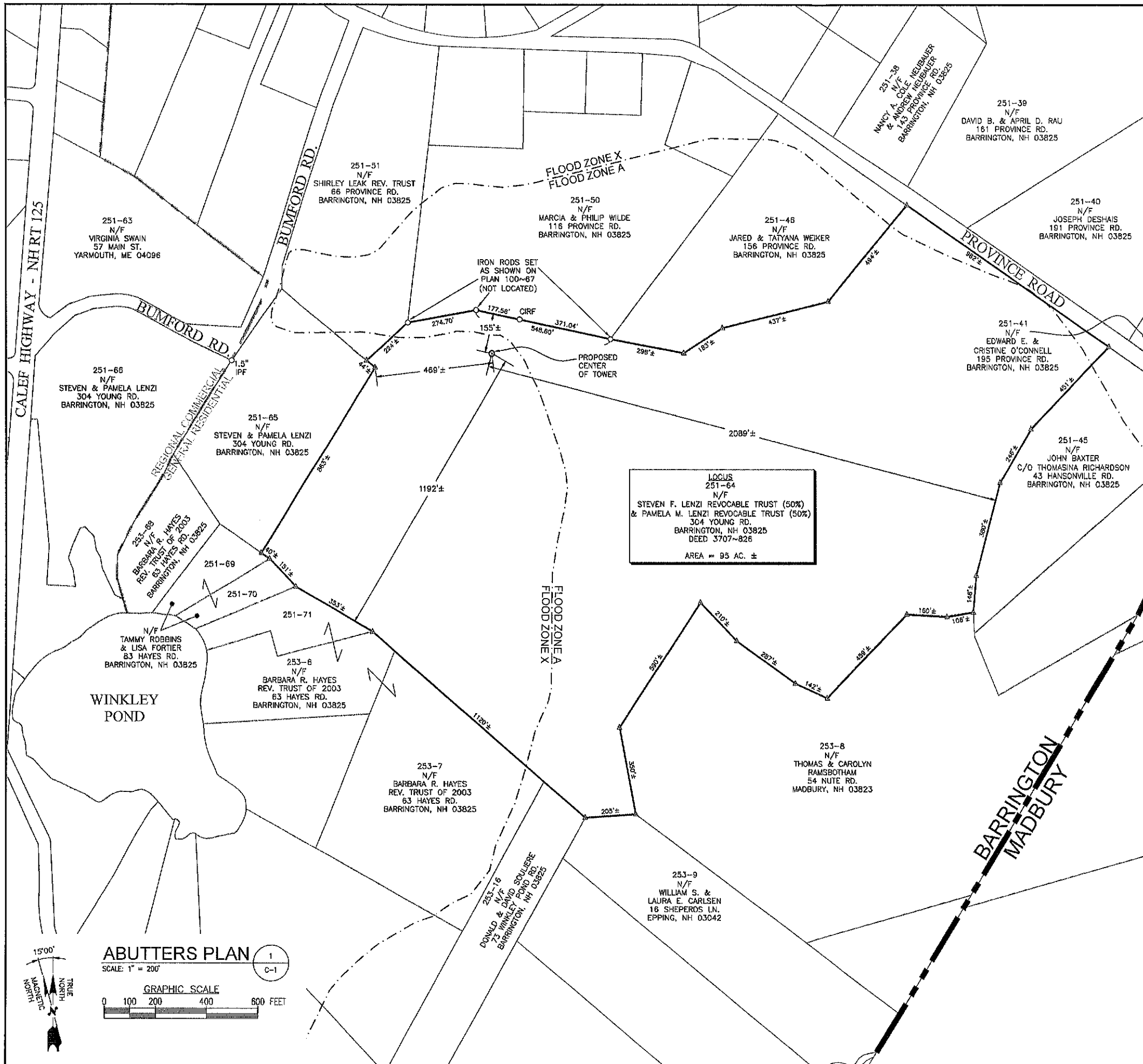
**OWNER OF RECORD:**  
STEVEN F. LENZI REV. TRUST &  
PAMELA M. LENZI REV. TRUST

**SHEET TITLE:**  
TITLE SHEET

**SHEET NO.:**  
T-1



LAND USE OFFICE  
SEP 03 2019  
RECEIVED



**LEGEND**

- PROPERTY LINE--SUBJECT PARCEL
- PROPERTY LINE--ABUTTERS
- ZONING DISTRICT BOUNDARY LINE
- EXISTING BUILDING
- ASSESSORS MAP--BLOCK--LOT NO.

**ZONING INFORMATION**

JURISDICTION: TOWN OF BARRINGTON  
 ZONING DISTRICT: GENERAL RESIDENTIAL

DIMENSION REQUIREMENTS FOR COMMUNICATION TOWERS AND ACCESSORY FACILITIES IN GEN. RESIDENTIAL DISTRICT	REQUIRED	PROPOSED
TOWER SETBACK TO PROPERTY LINE (50% OF 150' TOWER HEIGHT)	75'	155'
EQUIPMENT SETBACK TO WETLAND	75'	75'

(ALL MEASUREMENTS ARE IN FEET ± UNLESS OTHERWISE NOTED)

- SITE NOTES**
- FIELD SURVEY DATE: 10-29-2016
  - HORIZONTAL DATUM: NORTH AMERICAN DATUM OF 1983 (NAD83 2011)
  - VERTICAL DATUM: NORTH AMERICAN VERTICAL DATUM (NAVD83)
  - ZONING: GENERAL RESIDENTIAL
  - OWNER: STEVEN F. LENZI REV. TRUST & PAMELA M. LENZI REV. TRUST 304 YOUNG ROAD BARRINGTON, NH 03825
  - SITE NAME: BARRINGTON 1
  - SITE NUMBER: VW2-NH-0032A
  - SITE ADDRESS: BUMFORD ROAD BARRINGTON, NH 03825
  - APPLICANT: VARSITY WIRELESS 290 CONGRESS ST. 7TH FLOOR BOSTON, MA 02210
  - AREA: 95 ACRES ±
  - TAX ID: 251-64
  - THE HORIZONTAL DATUM AND VERTICAL DATUM WERE DERIVED FROM A POST-PROCESSED STATIC DUAL FREQUENCY GPS SURVEY.
  - ALL UNDERGROUND UTILITY INFORMATION PRESENTED HEREON WAS DETERMINED FROM SURFACE EVIDENCE AND PLANS OF RECORD. ALL UNDERGROUND UTILITIES SHOULD BE LOCATED IN THE FIELD PRIOR TO COMMENCEMENT OF ALL SITE WORK. CALL DIGSAFE 1-800-322-4844 A MINIMUM OF 72 HOURS PRIOR TO PLANNED ACTIVITY.
  - ACCORDING TO FEDERAL EMERGENCY MANAGEMENT AGENCY MAPS, THE MAJOR IMPROVEMENTS ON THIS PROPERTY ARE LOCATED IN AN AREA DESIGNATED AS ZONE X (NO SHADING), AREAS DETERMINED TO BE OUTSIDE THE 0.2% ANNUAL CHANCE FLOODPLAIN.
  - FIELD SURVEY BY EDM TOTAL STATION.
  - THIS IS NOT A BOUNDARY SURVEY.
  - ALL PROPERTY LINES ARE BASED UPON DEEDS, PLANS OF RECORD, ASSESSOR'S MAPS & GIS DATA ONLY AND SHOULD BE CONSIDERED APPROXIMATE.
  - WETLANDS WERE DELINEATED BY A.D. KLUMB ENVIRONMENTAL, LLC.

arsity wireless  
 290 CONGRESS ST. 7TH FLOOR  
 BOSTON, MA 02210

Hudson Design Group  
 1600 OSGOOD STREET  
 BLD 20 N, SUITE 3090  
 N. ANDOVER, MA 01845  
 TEL: (978)-557-5553  
 FAX: (978)-335-5586

NORTHEAST SURVEY CONSULTANTS  
 116 PLEASANT ST. SUITE 302  
 P.O. BOX 109  
 EASTHAMPTON, MA 01027  
 (413) 253-5144

TIMOTHY J. WINNINGS, LS #682  
 LICENSED LAND SURVEYOR

**REVISIONS**

REV. #	DATE	DESCRIPTION
B	05/15/17	EDIT DISTANCE TYPO
A	04/26/17	SUBMITTED FOR REVIEW

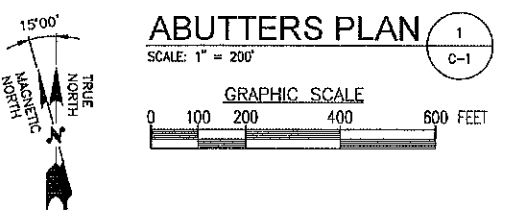
PROJECT NO.	DESIGNED BY: -	SCALE:
VW2-NH-0032A	DRAWN BY: BOF	1" = 200'
	CHECKED BY: BOF	

SITE NAME:  
**VW2-NH-0032A  
 BARRINGTON 1**

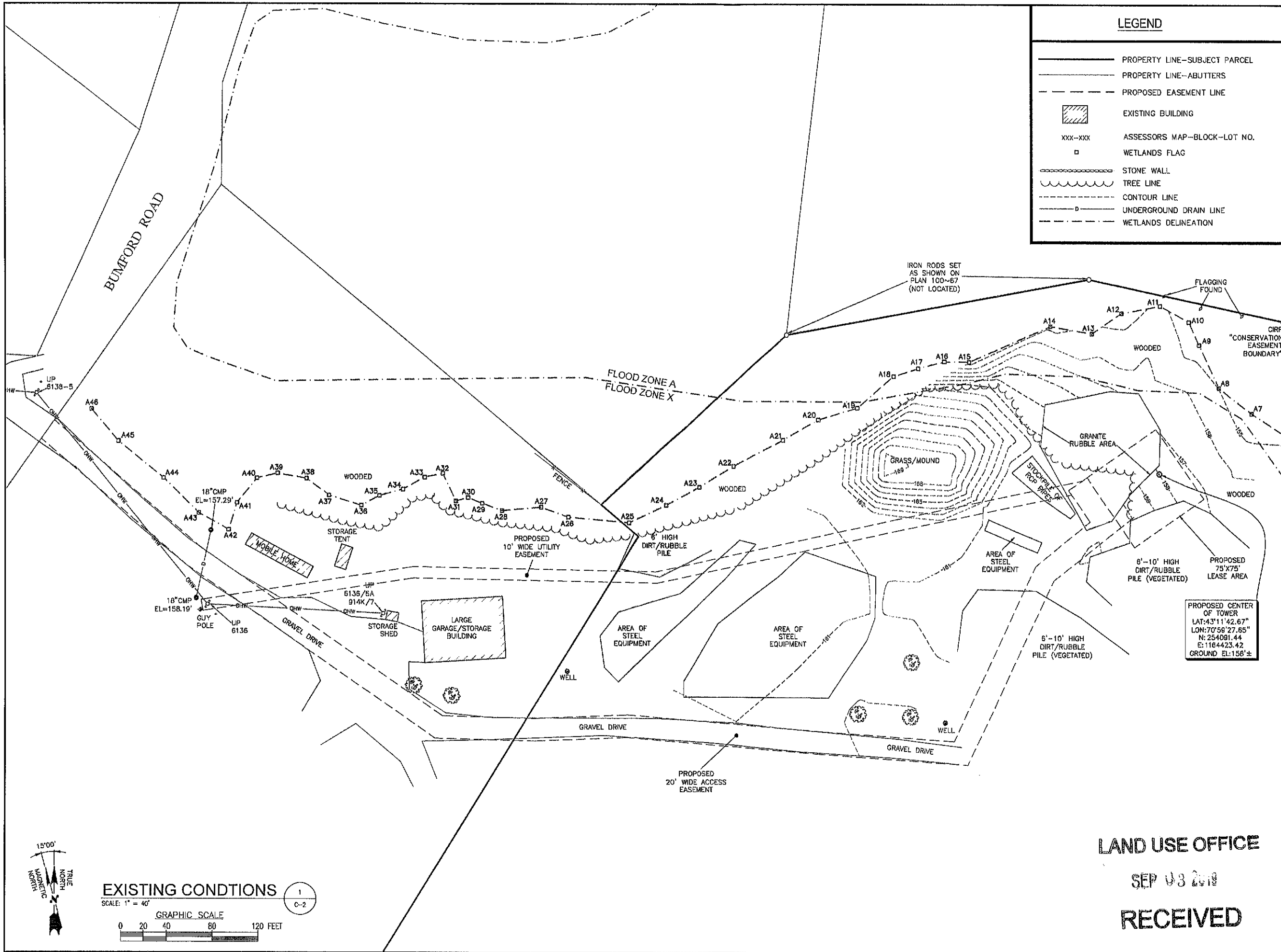
SITE ADDRESS:  
 BUMFORD ROAD  
 BARRINGTON, NH 03825

SHEET TITLE:  
**ABUTTERS PLAN**

SHEET NO:  
**C-1**



LAND USE OFFICE  
 SEP 03 2017  
 RECEIVED



**LEGEND**

- PROPERTY LINE—SUBJECT PARCEL
- PROPERTY LINE—ABUTTERS
- - - PROPOSED EASEMENT LINE
- ▨ EXISTING BUILDING
- XXX-XXX ASSESSORS MAP--BLOCK--LOT NO.
- WETLANDS FLAG
- STONE WALL
- TREE LINE
- - - CONTOUR LINE
- - - UNDERGROUND DRAIN LINE
- - - WETLANDS DELINEATION

varsity wireless  
  
 290 CONGRESS ST. 7TH FLOOR  
 BOSTON, MA 02210

**Hudson Design Group Inc.**  
  
 1600 OSWOOD STREET  
 BLD 20 N, SUITE 3090  
 N. ANDOVER, MA 01845  
 TEL: (978)-557-5553  
 FAX: (978)-336-5586

**NORTHEAST SURVEY CONSULTANTS**  
  
 116 PLEASANT ST. SUITE 302  
 P.O. BOX 109  
 BATHAMPTON, MA 01027  
 (413) 205-5144

TIMOTHY J. WININGS, LS #682  
 LICENSED LAND SURVEYOR

**REVISIONS**

REV. #	DATE	DESCRIPTION
B	05/15/17	EDIT DISTANCE TYPO
A	04/26/17	SUBMITTED FOR REVIEW

PROJECT NO. VW2-NH-0032A	DESIGNED BY: — DRAWN BY: BGF CHECKED BY: BGF	SCALE: 1" = 40'
-----------------------------	--	--------------------

**SITE NAME:**  
 VW2-NH-0032A  
 BARRINGTON 1

**SITE ADDRESS:**  
 BUMFORD ROAD  
 BARRINGTON, NH 03825

**SHEET TITLE:**  
 EXISTING CONDITIONS

**SHEET NO.:**  
 C-2

**LAND USE OFFICE**  
 SEP 03 2018  
**RECEIVED**

**EXISTING CONDITONS** 1  
 SCALE: 1" = 40'  
 GRAPHIC SCALE  
 0 20 40 80 120 FEET  
 C-2

**BARRINGTON PLANNING BOARD NOTES:**

AS PART OF THE PLAN APPROVAL THE FOLLOWING WAIVERS HAVE BEEN GRANTED ON 6/07/17.

- 3.3(3) EXISTING TOPOGRAPHY – AT 2-FOOT CONTOUR INTERVAL MINIMUM.
- 3.3(1) BOUNDARY SURVEY OF THE ENTIRE PARCEL.
- 3.3(4) & 4.2 MONUMENTS SET
- 3.3.13 WETLAND DELINEATION OF THE ENTIRE PARCEL.

**ZONING INFORMATION**

JURISDICTION: TOWN OF BARRINGTON		
ZONING DISTRICT: GENERAL RESIDENTIAL & STRATIFIED DRIFT AQUIFER OVERLAY		
EXISTING USE: GRAVEL YARD		
DIMENSION REQUIREMENTS FOR COMMUNICATION TOWERS AND ACCESSORY FACILITIES IN GEN. RESIDENTIAL DISTRICT	REQUIRED	PROPOSED
TOWER SETBACK TO PROPERTY LINE (50% TOWER HEIGHT)	75'	155'
EQUIPMENT SETBACK TO WETLANDS	75'	75'
TOWER HEIGHT	20' ABOVE TREE CANOPY	150'*
*TOWER HEIGHT VARIANCE PER 10.4(3) REQUESTED AND RECEIVED FROM ZONING BOARD ON 4-19-17.		
(ALL MEASUREMENTS ARE IN FEET ± UNLESS OTHERWISE NOTED)		

AUDRA L. KLUMB, NH CERTIFIED WETLAND SCIENTIST #222 OF A&D KLUMB ENVIRONMENTAL, LLC, WEBSTER, NH, PERFORMED THE WETLAND MAPPING FOR THIS SITE ON OCTOBER 7, 2016 ACCORDING TO THE TECHNICAL CRITERIA OF THE US ARMY CORPS OF ENGINEERS REGIONAL SUPPLEMENT TO THE CORPS OF ENGINEERS WETLAND DELINEATION MANUAL: NORTHCENTRAL AND NORTHEAST REGION, VERSION 2.0 (JANUARY 2012) AND NH STATUTE RSA482-A:2 X.

CONTRACTOR TO HAVE SURVEYOR FIELD VERIFY EXISTING MONUMENTS AT THIS PROPERTY LINE TO ENSURE ACCURATE TOWER SETBACK DURING CONSTRUCTION STAKING

varsity wireless  
290 CONGRESS ST. 7TH FL  
BOSTON, MA 02210

**Hudson Design Group Inc.**  
1600 OSGOOD STREET  
BUILDING 20 NORTH, SUITE 3090  
N. ANDOVER, MA 01845  
TEL: (978) 557-5553  
FAX: (978) 336-5586

STATE OF NEW HAMPSHIRE  
DEREK J. CREASER  
NO. 13536  
PROFESSIONAL ENGINEER  
LICENSED ENGINEER DATE

REVISIONS

REV. #	DATE	DESCRIPTION
4	09/19/17	REVISED FOR PERMITTING
3	05/15/17	REVISED FOR PERMITTING
2	04/26/17	REVISED FOR PERMITTING
1	03/03/17	ISSUED FOR PERMITTING
A	01/27/17	ISSUED FOR REVIEW

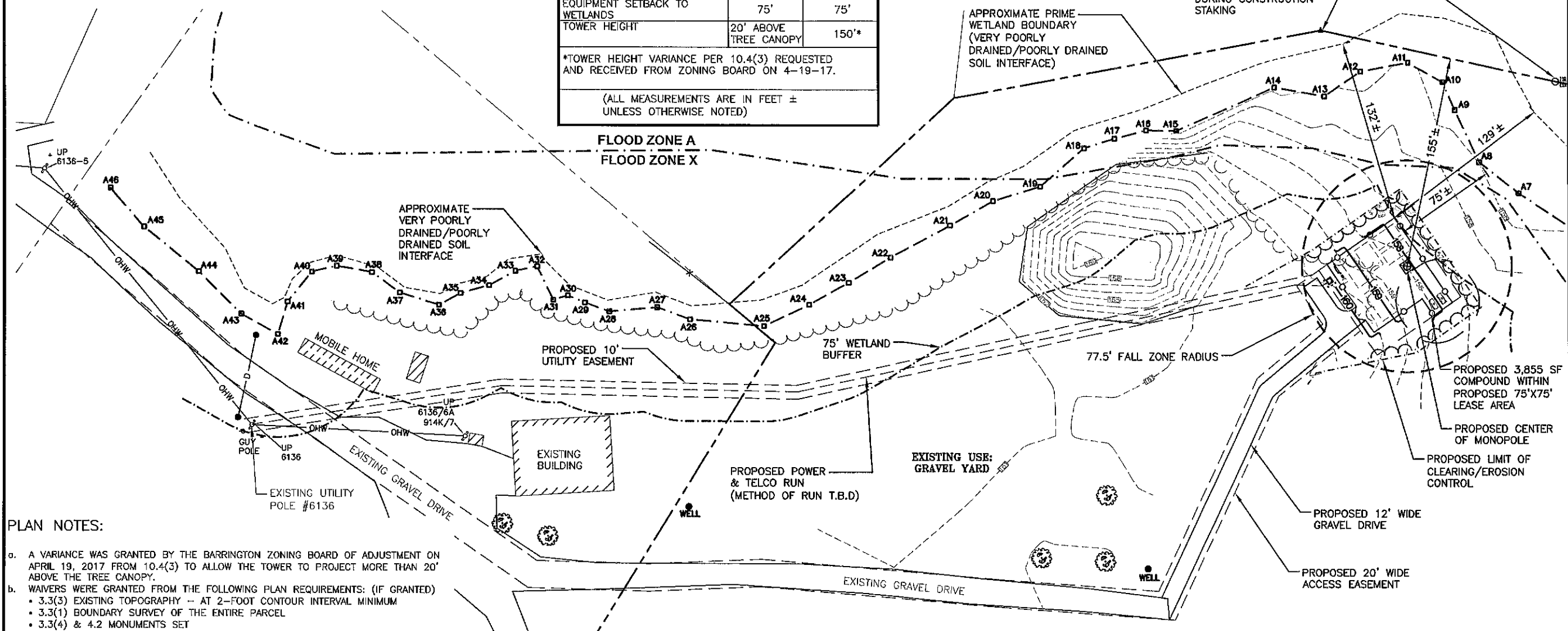
PROJECT NO. VW2-NH-0032A	DESIGNED BY: AT	SCALE: AS SHOWN
	DRAWN BY: SB	
	CHECKED BY: DPH	

SITE NAME:  
VW2-NH-0032A  
BARRINGTON 1

SITE ADDRESS:  
BUMFORD ROAD  
BARRINGTON, NH 03825  
OWNER OF RECORD:  
STEVEN F. LENZI REV. TRUST & PAMELA M. LENZI REV. TRUST

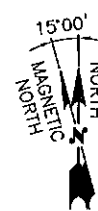
SEP 03 2019  
RECEIVED  
SHEET NO.: C-3

FOR REGISTRY USE ONLY



**PLAN NOTES:**

- A VARIANCE WAS GRANTED BY THE BARRINGTON ZONING BOARD OF ADJUSTMENT ON APRIL 19, 2017 FROM 10.4(3) TO ALLOW THE TOWER TO PROJECT MORE THAN 20' ABOVE THE TREE CANOPY.
- WAIVERS WERE GRANTED FROM THE FOLLOWING PLAN REQUIREMENTS: (IF GRANTED)
  - 3.3(3) EXISTING TOPOGRAPHY – AT 2-FOOT CONTOUR INTERVAL MINIMUM
  - 3.3(1) BOUNDARY SURVEY OF THE ENTIRE PARCEL
  - 3.3(4) & 4.2 MONUMENTS SET
  - 3.3.13 WETLAND DELINEATION OF THE ENTIRE PARCEL
- A REVISED REMOVAL ESTIMATE AND STRUCTURAL EVALUATION MUST BE PROVIDED EVERY FIVE (5) YEARS FROM THE DATE OF APPROVAL OF THE SITE PLAN 10.6(3)
- NO FUTURE DEVELOPMENT IS ALLOWED WITHIN THE FALL ZONE.
- THE OWNER SHALL NOTIFY THE TOWN BY CERTIFIED MAIL OF HIS INTENT TO ABANDON OR DISCONTINUE USE OF THIS FACILITY, THIRTY (30) DAYS PRIOR TO THE INTENDED DATE OF THE END OF SERVICE.
- ANY ANTENNA THAT IS NOT OPERATED FOR A CONTINUOUS PERIOD OF TWELVE (12) MONTHS SHALL BE CONSIDERED ABANDONED AND HAZARDOUS TO PUBLIC HEALTH AND SAFETY.
- UPON ABANDONMENT OR DISCONTINUED USE, THE OWNER OF THE FACILITY SHALL PHYSICALLY REMOVE THE PERSONAL WIRELESS FACILITY WITHIN NINETY (90) DAYS. "PHYSICALLY REMOVE" SHALL INCLUDE, BUT NOT LIMITED TO THE FOLLOWING: REMOVAL OF ANTENNAS, MOUNTS, EQUIPMENT SHELTERS, FOUNDATIONS AND SECURITY BARRIERS FROM THE PROPERTY; AND PROPERTY DISPOSE OF THE WASTE MATERIALS FROM THE SITE IN ACCORDANCE WITH LOCAL AND STATE WASTE DISPOSAL REGULATIONS; AND RESTORING THE LOCATION OF THE FACILITY TO ITS NATURAL CONDITION, EXCEPT THAT ANY LANDSCAPING AND GRADING SHALL REMAIN IN THE AFTER CONDITION.
- IF THE OWNER FAILS TO VOLUNTARILY REMOVE THE FACILITY AS REQUIRED UNDER SECTION 9.7 OF THE TOWN OF BARRINGTON ZONING ORDINANCE, THE BOARD OF SELECTMEN SHALL HAVE THE AUTHORITY TO DECLARE A DEFAULT UNDER ANY SECURITY GIVEN TO ENSURE SUCH REMOVAL, AND MAY SEEK ALL OTHER AVAILABLE EQUITABLE OR LEGAL REMEDIES AS THE BOARD DEEMS NECESSARY.
- SIGNS WARNING OF DANGER SHALL BE MOUNTED ON THE SECURITY FENCE AS NEEDED.
- A SIGN IDENTIFYING THE OWNER ALONG WITH AN EMERGENCY PHONE NUMBER SHALL BE MOUNTED ON THE FENCE BY THE ENTRANCE DOOR. SIGNS SHALL NOT EXCEED FOUR (4) SQUARE FEET.



**SITE PLAN**  
22x34 SCALE: 1"=40'  
11x17 SCALE: 1"=80'



PLANNING BOARD APPROVAL BLOCK

**LEGEND**

---	PROPERTY LINE-SUBJECT PARCEL
---	PROPERTY LINE-ABUTTERS
---	PROPOSED EASEMENT
---	EXISTING SOILS BOUNDARY
▨	EXISTING BUILDING
XXX-XXX	PARCEL ID #
-----	STONE WALL
~~~~~	TREE LINE
---	CONTOUR LINE
-D-D-	UNDERGROUND DRAIN LINE

LAND USE OFFICE

SEP 03 2019 SITE PLAN

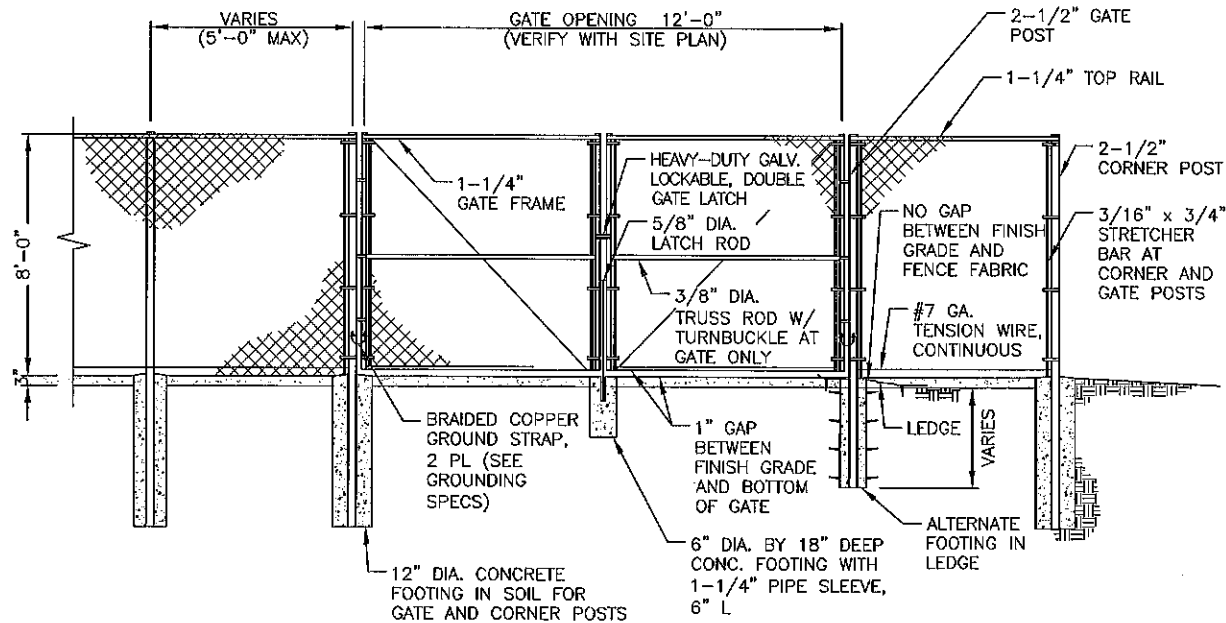
RECEIVED C-3



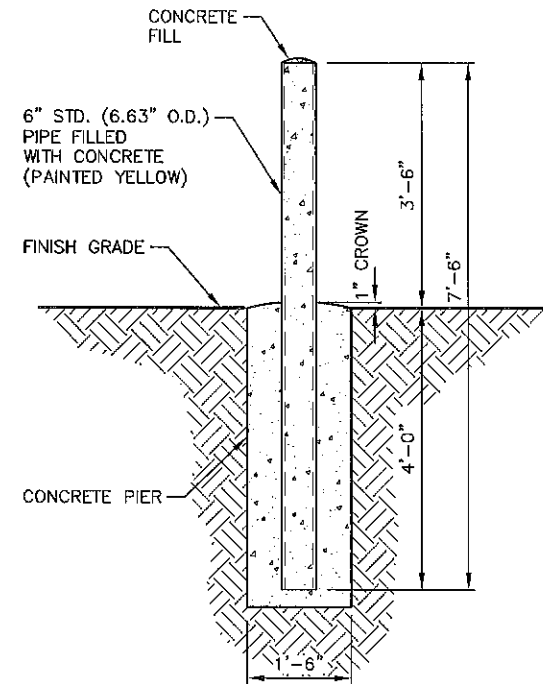
PLANNING BOARD APPROVAL BLOCK

**FENCE NOTES**

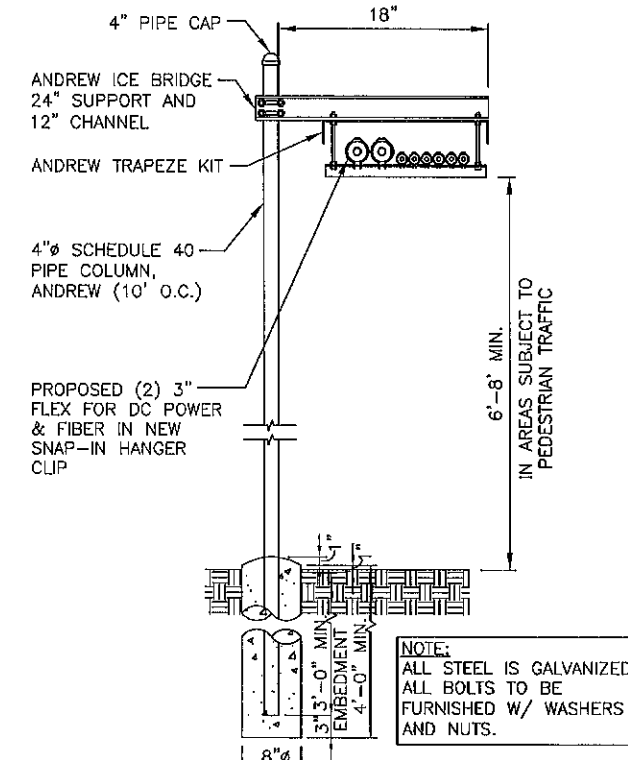
1. FENCE CONSTRUCTION SHALL BE PLUMB, STRAIGHT, AND STRUCTURALLY SOUND.
2. FENCE FABRIC SHALL USE A BOTTOM TENSION WIRE AND BARBED WIRE. FENCING SHALL BE TIGHT AND CONTINUOUS.
3. FENCE, FENCE FABRIC AND BARBED WIRE SHALL BE BONDED TO THE FACILITY OR TOWER EXTERNAL GROUND RING (ERG) AT EACH CORNER ON INSIDE OR FENCING COMPOUND.
4. ALL ENTRY GATES SHALL BE BONDED TO THE MAIN FENCE ASSEMBLY BY METAL METAL STRAPS.
5. TWO HOLE COMPRESSION LUGS CAN BE USED IN PLACE OF EXOTHERMIC WELDS DUE TO THINNESS OF METAL.
6. FENCE SHALL CONFORM TO LOCAL ZONING REGULATIONS.
7. ALL STEEL TO BE GALVANIZED.



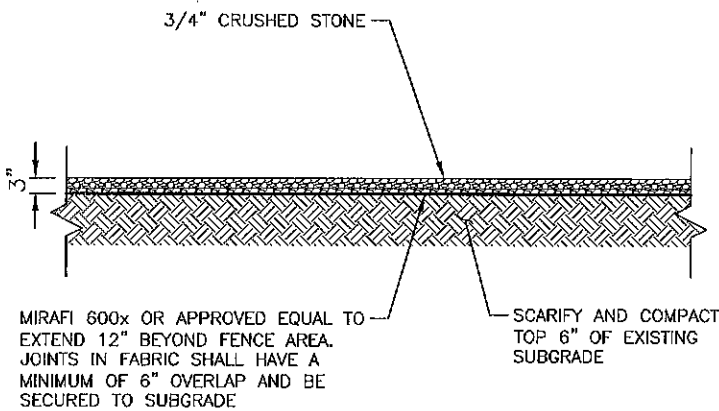
**CHAIN LINK FENCE DETAIL 1**  
SCALE: N.T.S.



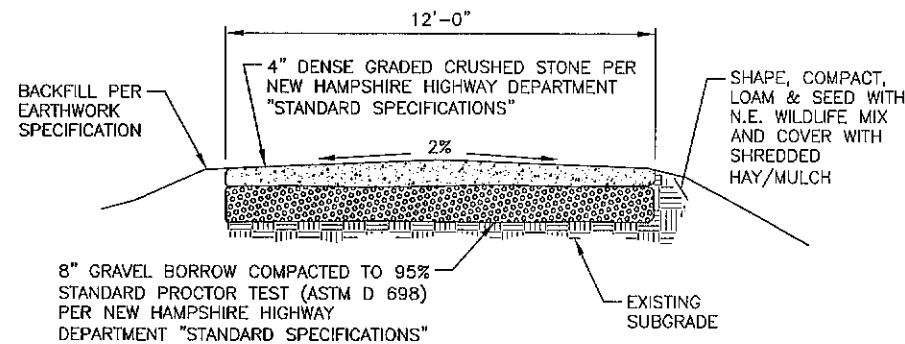
**BOLLARD DETAIL 2**  
SCALE: N.T.S.



**COAX ICE BRIDGE DETAIL 3**  
SCALE: N.T.S.



**COMPOUND COVERING DETAIL 4**  
SCALE: N.T.S.



**GRAVEL DRIVE DETAIL 5**  
SCALE: N.T.S.

NOTE: DISTURBED AREAS SHALL BE TOPPED WITH 4" OF LOAM & SEEDED.

varsity wireless  
W  
290 CONGRESS ST. 7TH FL  
BOSTON, MA 02210

Hudson Design Group, Inc.  
1600 ORGOOD STREET  
BUILDING 20 NORTH, SUITE 3090  
N. ANDOVER, MA 01845  
TEL: (978) 557-5553  
FAX: (978) 336-5586

STATE OF NEW HAMPSHIRE  
Derek J. Creaser  
No. 13536  
PROFESSIONAL ENGINEER  
LICENSED ENGINEER DATE

REVISIONS		
REV. #	DATE	DESCRIPTION
4	09/19/17	REVISED FOR PERMITTING
3	05/15/17	REVISED FOR PERMITTING
2	04/26/17	REVISED FOR PERMITTING
1	03/03/17	ISSUED FOR PERMITTING
A	01/27/17	ISSUED FOR REVIEW

PROJECT NO.	DESIGNED BY: AT	SCALE:
VW2-NH-0032A	DRAWN BY: SB CHECKED BY: DPH	AS SHOWN

SITE NAME:  
VW2-NH-0032A  
BARRINGTON 1

SITE ADDRESS:  
BUMFORD ROAD  
BARRINGTON, NH 03825  
OWNER OF RECORD:  
STEVEN F. LENZI REV. TRUST &  
PAMELA M. LENZI REV. TRUST

SHEET TITLE:  
DETAILS

SHEET NO.:  
A-2

LAND USE OFFICE

SEP 03 2018

RECEIVED

**CONSTRUCTION SPECIFICATIONS - SILT FENCE**

1. THE GEOTEXTILE FABRIC SHALL MEET THE DESIGN CRITERIA FOR SILT FENCES.
2. THE FABRIC SHALL BE EMBEDDED A MINIMUM OF 8 INCHES INTO THE GROUND AND THE SOIL COMPACTED OVER THE EMBEDDED FABRIC.
3. WOVEN WIRE FENCE SHALL BE FASTENED SECURELY TO THE FENCE POSTS WITH WIRE TIES OR STAPLES.
4. FILTER CLOTH SHALL BE FASTENED SECURELY TO THE WOVEN WIRE FENCE WITH TIES SPACED EVERY 24 INCHES AT THE TOP, MID-SECTION AND BOTTOM.
5. WHEN TWO SECTIONS OF FILTER CLOTH ADJOIN EACH OTHER, THEY SHALL BE OVERLAPPED BY 6 INCHES, FOLDED, AND STAPLED.
6. FENCE POSTS SHALL BE A MINIMUM OF 36 INCHES LONG AND DRIVEN A MINIMUM OF 16 INCHES INTO THE GROUND. WOOD POSTS SHALL BE OF SOUND QUALITY HARDWOOD AND SHALL HAVE A MINIMUM CROSS SECTIONAL AREA OF 3.0 SQUARE INCHES.
7. MAINTENANCE SHALL BE PERFORMED AS NEEDED TO PREVENT BULGES IN THE SILT FENCE DUE TO DEPOSITION OF SEDIMENT.

**MAINTENANCE - SILT FENCE**

1. SILT FENCES SHALL BE INSPECTED IMMEDIATELY AFTER EACH RAINFALL AND AT LEAST DAILY DURING PROLONGED RAINFALL. ANY REPAIRS THAT ARE REQUIRED SHALL BE MADE IMMEDIATELY.
2. IF THE FABRIC ON A SILT FENCE SHOULD DECOMPOSE OR BECOME INEFFECTIVE DURING THE EXPECTED LIFE OF THE FENCE, THE FABRIC SHALL BE REPLACED PROMPTLY.
3. SEDIMENT DEPOSITS SHOULD BE INSPECTED AFTER EVERY STORM EVENT. THE DEPOSITS SHOULD BE REMOVED WHEN THEY REACHED APPROXIMATELY ONE-HALF THE HEIGHT OF THE BARRIER.
4. SEDIMENT DEPOSITS THAT ARE REMOVED OR LEFT IN PLACE AFTER THE FABRIC HAS BEEN REMOVED SHALL BE GRADED TO CONFORM WITH THE EXISTING TOPOGRAPHY AND VEGETATED.
5. REMOVE ALL SEDIMENTATION CONTROLS AFTER SOIL IS STABILIZED.

**EROSION CONTROL MEASURES:**

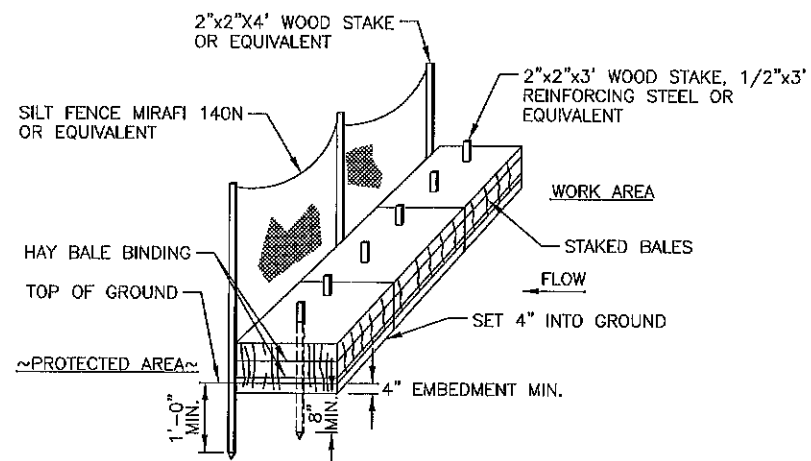
1. DISTURBED AREAS SHALL BE KEPT TO THE MINIMUM AREA NECESSARY TO CONSTRUCT THE ROADWAYS AND ASSOCIATED DRAINAGE FACILITIES.
2. HAY BALE BARRIERS AND SEDIMENT TRAPS SHALL BE INSTALLED AS REQUIRED. BARRIERS AND TRAPS ARE TO BE MAINTAINED AND CLEANED UNTIL ALL SLOPES HAVE A HEALTHY STAND OF GRASS.
3. BALED HAY AND MULCH SHALL BE MOWINGS OF ACCEPTABLE HERBACEOUS GROWTH, FREE FROM NOXIOUS WEEDS OR WOODY STEMS, AND SHALL BE DRY. NO SALT HAY SHALL BE USED.
4. FILL MATERIAL SHALL BE FREE FROM STUMPS, WOOD, ROOTS, ETC.
5. STOCKPILED MATERIALS SHALL BE PLACED ONLY IN AREAS SHOWN ON THE PLANS. STOCKPILES SHALL BE PROTECTED BY SILTATION FENCE AND SEEDED TO PREVENT EROSION. THESE MEASURES SHALL REMAIN UNTIL ALL MATERIAL HAS BEEN PLACED OR DISPOSED OFF SITE.
6. ALL DISTURBED AREAS SHALL BE LOAMED AND SEEDED. A MINIMUM OF 4 INCHES OF LOAM SHALL BE INSTALLED WITH NOT LESS THAN ONE POUND OF SEED PER 50 SQUARE YARDS OF AREA.
7. APPLICATION OF GRASS SEED, FERTILIZERS AND MULCH SHALL BE ACCOMPLISHED BY BROADCAST SEEDING OR HYDROSEEDING AT THE RATES OUTLINED BELOW:

**LIMESTONE:** 75-100 LBS./1,000 SQUARE FEET.  
**FERTILIZER:** RATE RECOMMENDED BY MANUFACTURER.  
**MULCH:** HAY MULCH APPROXIMATELY 3 TONS/ACRE UNLESS EROSION CONTROL MATTING IS USED.

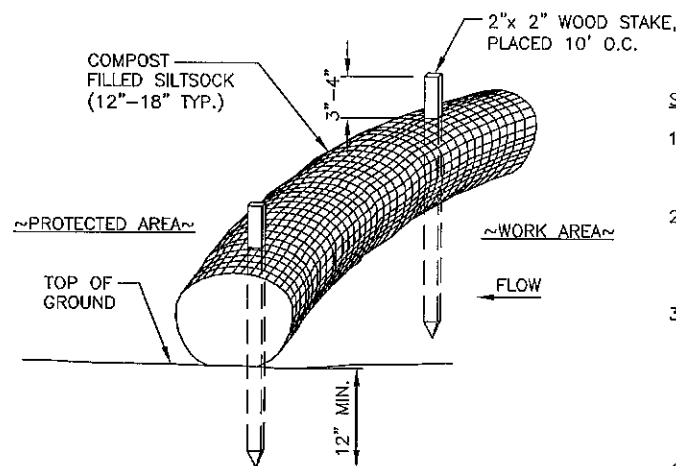
SEED MIX (SLOPES LESS THAN 4:1)	LBS./ACRE
CREeping RED FESCUE	20
TALL FESCUE	20
RED TOP	2
TOTAL	42
SLOPE MIX (SLOPES GREATER THAN 4:1) LBS./ACRE	
CREeping RED FESCUE	20
TALL FESCUE	20
RED TOP	8
TOTAL	48

**SILT SOCK NOTES:**

1. SILT SOCK SHALL BE FILTREXX SILT SOCK, OR APPROVED EQUAL.
2. COMPOST MATERIAL SHALL BE DISPERSED ON SITE, AS DETERMINED BY THE ENGINEER.
3. SILT SOCK SHALL BE INSPECTED PERIODICALLY AND AFTER ALL STORM EVENTS, AND REPAIR OR REPLACEMENT SHALL BE PERFORMED PROMPTLY AS NEEDED.
4. SEE SPECIFICATIONS FOR SOCK SIZE, AND COMPOST FILL, REQUIREMENTS.



**HAYBALES/SILT FENCE DETAIL** 1  
SCALE: N.T.S. A-3



**SILT SOCK DETAIL** 2  
SCALE: N.T.S. A-3

varsity wireless  
 W  
 290 CONGRESS ST. 7TH FL  
 BOSTON, MA 02210

**Hudson Design Group, Inc.**  
 1600 OSGOOD STREET  
 BUILDING 20 NORTH, SUITE 3090 N. ANDOVER, MA 01845  
 TEL: (978) 557-5553  
 FAX: (978) 336-5586

STATE OF NEW HAMPSHIRE  
 DEREK J. CREASER  
 NO. 13536  
 PROFESSIONAL ENGINEER  
 LICENSED ENGINEER DATE

REVISIONS		
REV. #	DATE	DESCRIPTION
4	09/19/17	REVISED FOR PERMITTING
3	05/15/17	REVISED FOR PERMITTING
2	04/26/17	REVISED FOR PERMITTING
1	03/03/17	ISSUED FOR PERMITTING
A	01/27/17	ISSUED FOR REVIEW

PROJECT NO. VW2-NH-0032A	DESIGNED BY: AT DRAWN BY: SB CHECKED BY: DPH	SCALE: AS SHOWN
-----------------------------	----------------------------------------------------	--------------------

**SITE NAME:**  
 VW2-NH-0032A  
 BARRINGTON 1

**SITE ADDRESS:**  
 BUMFORD ROAD  
 BARRINGTON, NH 03825  
**OWNER OF RECORD:**  
 STEVEN F. LENZI REV. TRUST &  
 PAMELA M. LENZI REV. TRUST

**SHEET TITLE:**  
 EROSION CONTROL  
 DETAILS & NOTES

**SHEET NO.:**  
 A-3

LAND USE OFFICE  
 SEP 03 2018  
 RECEIVED